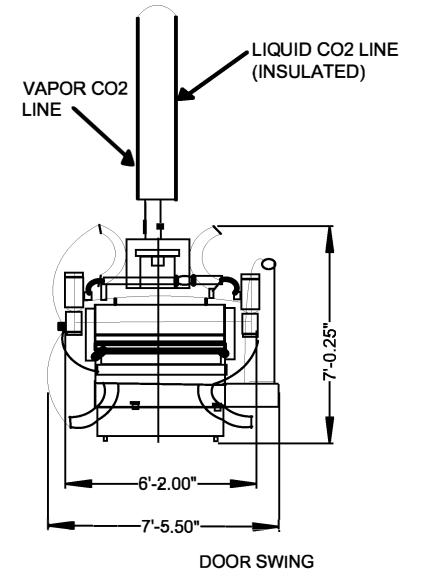
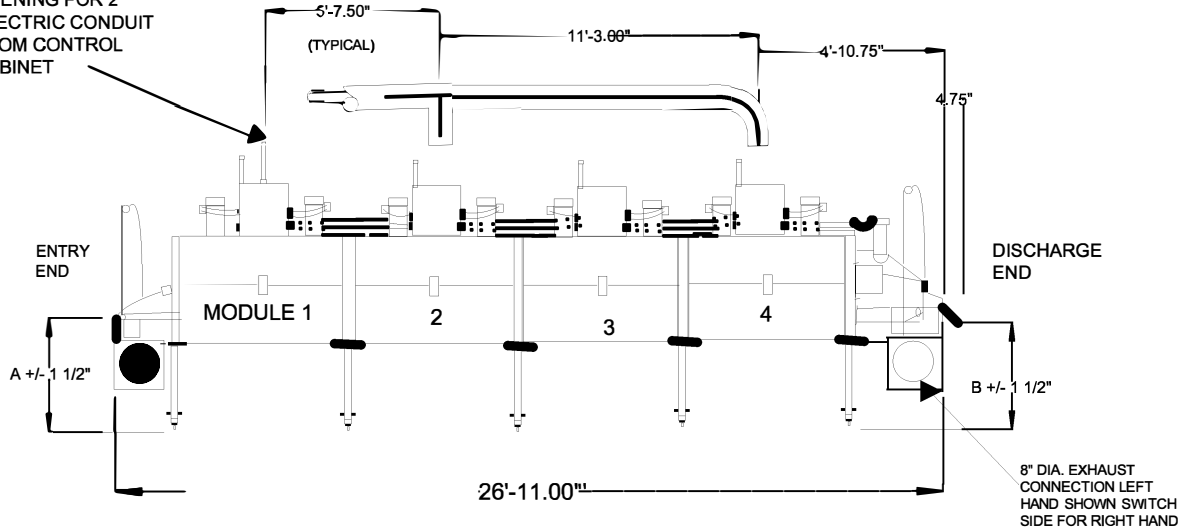


OPENING FOR 2" ELECTRIC CONDUIT FROM CONTROL CABINET



LIQUID CO2 LINE- CUSTOMER SUPPLY: 1" COPPER TUBING, TYPE K WITH 2" POLYURETHANE INSULATION
LIQUID CO2 LINE CONNECTION FITTINGS- SUPPLIED WITH FREEZER

VAPOR CO2 LINE- CUSTOMER SUPPLY: 3/8" OD COPPER TUBING (SOFT)
VAPOR CO2 LINE CONNECTION FITTINGS- SUPPLIED WITH FREEZER

ELECTRICAL REQUIREMENTS:
SINGLE TIER- 230 VOLT., 3 PH, 60 Hz., 40 AMP.
3-TIER- 230 VOLT, 3 PHASE, 60 Hz., 45 AMP.

	A	B
1 TIER	35	23.5
3 TIER	40.5	28.5

DRAWING SCALE	DRAWN BY:	
	DATE: 6/19/15	SERIAL